

EZ BOX® ENT 2-Gang 38 cu. in. Switch or Outlet Box

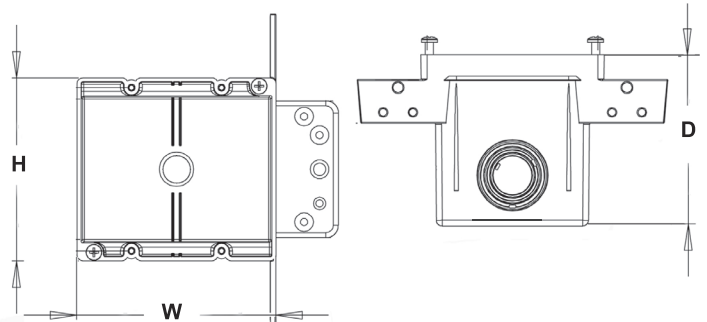


EZ BOX EN38DB is a 2-Gang ENT box designed for use with electrical non-metallic tubing (ENT). It features ample room for all necessary wiring and 1/2, 3/4 and 1 inch concentric knockouts to fit multiple sizes of ENT tubing and fittings.

- Concentric knockouts for use with multiple size ENT tubing and fittings
- Flange for easy mounting to wood or steel wall studs
- Suitable for masonry walls
- Engineered for easy, cost saving installation and constructed with resilient PVC for durability
- ETL Listed, ETL 2 Hour Fire-rated
- Made in USA



2 hour fire-rated



Part Number	Carton Quantity	Height	Width	Depth
EN38DB	25	3.700	3.960	3.500

Dimensions are nominal

## CANTEX ENT Line (Electrical Nonmetallic Tubing)

EZ Flex® Flexible ENT Electrical Nonmetallic Tubing is a high performance, low cost alternative to electrical metallic tubing. Since the corrugated design allows bending by hand, it eliminates the need for bending equipment and/or special tools, which reduces installation time dramatically.

Our EZ BOX® ENT Boxes are designed for use with our light, flexible and strong ENT Tubing. With specifically designed concentric knockouts, they are perfect for creating ENT electrical systems with ENT Tubing and ENT fittings. All our PVC ENT products are made of resilient non-conductive PVC that won't corrode or conduct electricity. They can be used with ENT snap-in fittings or standard Schedule 40 fittings.

CANTEX offers a complete line of ENT tubing, fittings and accessories to meet all of your electrical ENT needs. Since our ENT fittings & accessories connect seamlessly with our ENT tubing, they make it easy to convert entire electrical infrastructures through a single source—CANTEX.

